

Alumina

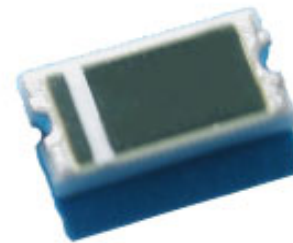
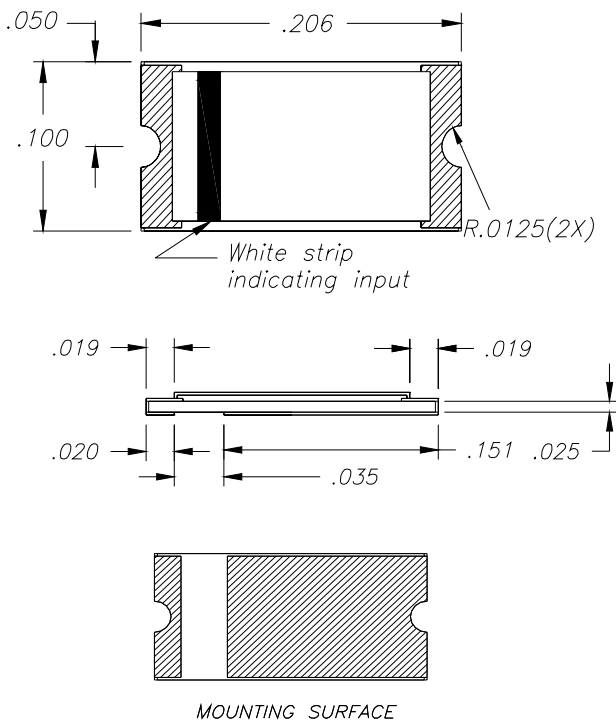
TERMINATION

Features:

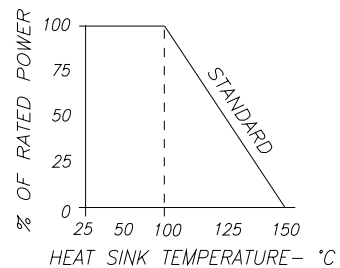
- ◆ Alumina
- ◆ Surface Mount
- ◆ 10 Watt power rating
- ◆ DC - 3 GHz

General Description:

The RZC2010CT-50R0JN-93 is a 50 Ohm standard surface mountable termination capable of dissipating 10 Watts while maintaining a constant heat sink temperature of 100°C. It offers an excellent frequency range from DC to 3 GHz.



DERATING CURVE:



Parameter	Min.	Typ.	Max.	Units
Frequency Range	DC		3	GHz
Input Return Loss	20			dB
Power Dissipation			10	Watts
Heat Sink Temperature			100	°C

Barry Industries reserves the right to change part number and or process without notification.

Barry Industries, Inc., 60 Walton St., Attleboro, MA 02703 T: 508-226-3350 F: 508-226-3317 E-mail: ABSales@Vishay.com

Barry Industries maintains an ISO 9001 Certified Quality Management System

Origination Date	Revision Date	Rev.
02/27/04	02/06/07	A